

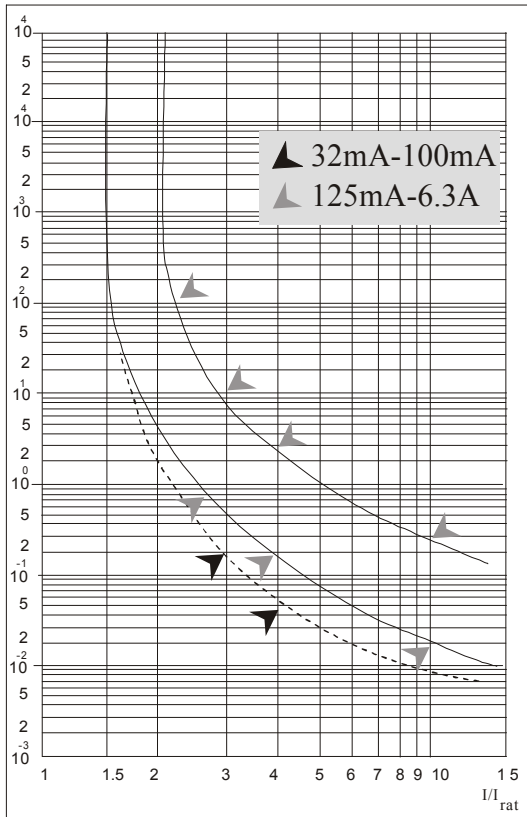


50ES

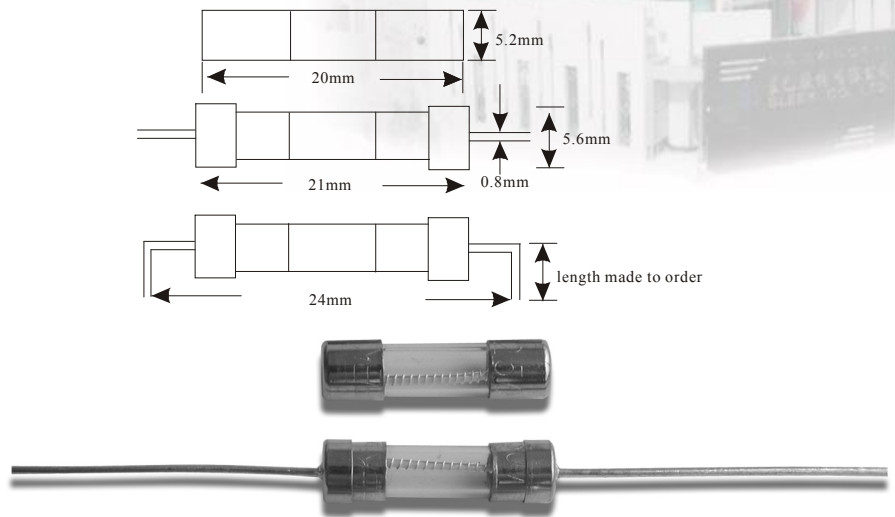
Fuse-links 50ES
 Miniature Glass Fuse 5x20mm
 Low Breaking Capacity
 Slow Blow (Time Lag)
 T-250V

pluggable into miniature fuse-holder or directly mountable on printed circuit boards

Standards and approvals
 IEC-127-4 DIN-VDE 0820/1



TYPE DIMENSION



Time current characteristics

Rat. current In	1.5xI _{rat}	2.1xI _{rat}	2.75xI _{rat}	4xI _{rat}	10xI _{rat}
32...100mA	>1h	<2min	200ms...10s	40ms...3s	10...300ms
125mA...6.3mA	>30min	<10min	600ms...10s	150ms...3s	20...300ms
8A...16A			600ms...10s	150ms...3s	20...300ms

Order No.
 Type:50ES

TYPE	LEAD WIRE	PITCH, LENGTH	RATED CURRENT	VOLTAGE DROP mV 1.0xIn	POWER DISSIPATION MAX. AT 1.5In	FUSING I²T at 10xIn A²S	BREAKING CAPACITY	APPROVAL		
								VDE	UL	TUV
50ES	L	P:xx, L:xx	100	1000	0.3	7.5x10 ⁻²	35Aor 10xIn/ 250Vac IEC 127-3/3	○	●	○
			125	900	0.3	1.3x10 ⁻¹		○	●	○
			160	800	0.4	2.4x10 ⁻¹		○	●	○
			200	600	0.4	3.0x10 ⁻¹		○	●	○
			250	550	0.4	3.3x10 ⁻¹		○	●	○
			315	350	0.5	1.2x10 ⁰		○	●	○
			400	300	0.5	2.4x10 ⁰		○	●	○
			500	250	0.6	4.4x10 ⁰		○	●	○
			630	200	0.6	7.5x10 ⁰		○	●	○
			800	180	0.7	1.1x10 ¹		○	●	○
			1	150	0.7	1.5x10 ¹		●	●	●
			1.25	135	0.8	2.2x10 ¹		●	●	●
			1.6	125	0.9	3.6x10 ¹		●	●	●
			2	110	0.9	1.6x10 ¹		●	●	●
			2.5	100	1.0	1.7x10 ¹		●	●	●
			3.15	90	1.1	3.0x10 ¹		●	●	●
			4	80	1.2	5.4x10 ¹		●	●	●
5	70	1.3	8.7x10 ¹	●	●	●				
6.3	70	1.5	1.2x10 ²	○	●	○				
8	100	2.6	3.3x10 ²	○	●	○				
10	100	3.0	5.6x10 ²	○	●	○				
12	100	3.5	7.5x10 ²	○	●	○				
13	100	4.0	1.4x10 ²	○	●	○				
15	106	4.2	1.6x10 ²	○	●	○				